



# ARC UNIVERSO





## SYSTEM ARC UNIVERSO

Auditorium seating with a novel design concept for general use on level floors or pedestal steps. The modular structure is based upon a post element arranged centrally to the seat, which can be flexibly adapted to the step situation on site. Flexibility plays a large role in the seat selection: four comfortable seat units from the ARC seating family are available to choose from. All self-contained tip-up seat units are characterized by a small folding envelope. The elegant pivot with integrated spring based tip-up mechanism and precision sleeve bearing ensures a controlled function and long life span. The crossbeam construction enables the seats to be positioned in the desired centre to centre dimension.

The auditorium seating units for front desktop, middle seat and end seat are based upon uniform elements. This creates clear structures and reduces costs.



Seat unit ARC LITE compact

Seat unit ARC LITE

Seat unit ARC WOOD

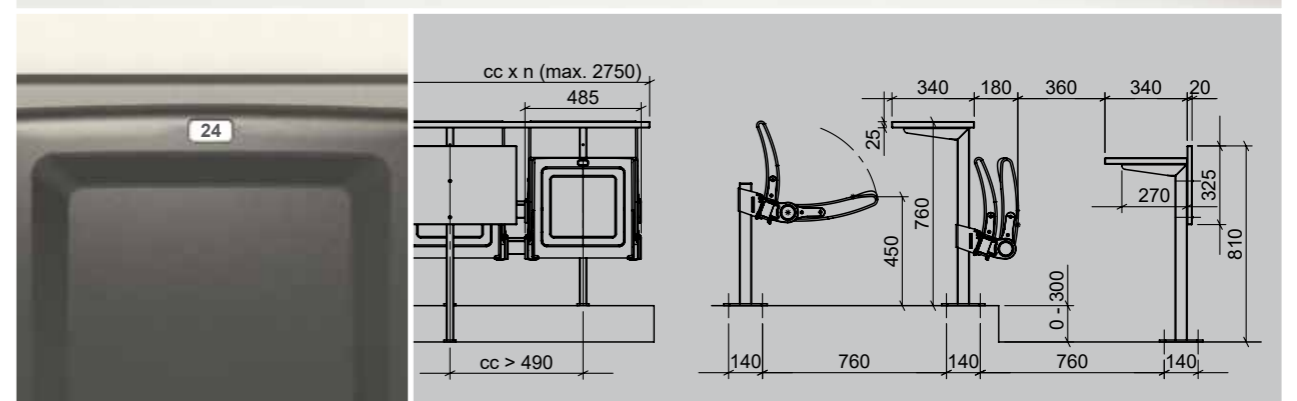
Seat unit ARC WOOD DS



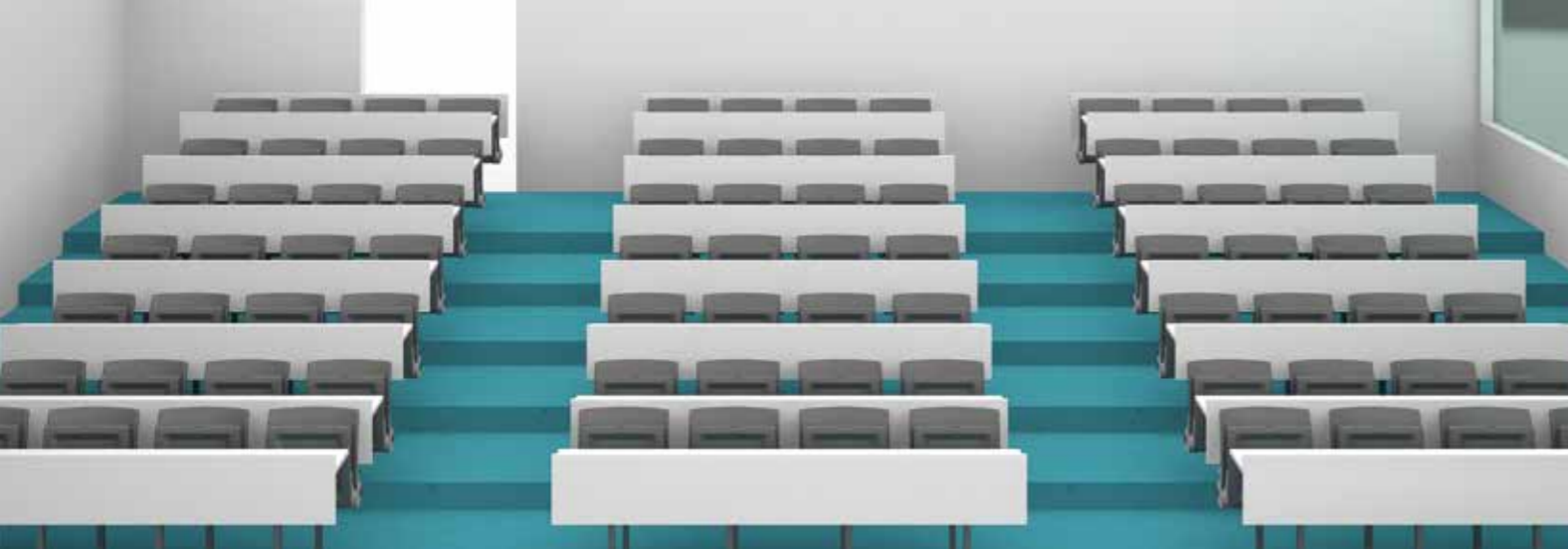
## ARC UNIVERSO | ARC LITE COMPACT

standard version:  
 structure powder-coated in black, textured  
 desktop & panel melamine coated chipboard,  
 with plastic edging, white  
 seat & backrest PP + UV + FR,  
 RAL 7021 anthracite  
 seat carrier polyamide, RAL 7004 signal grey  
 illustrations partly show special options

ARC UNIVERSO system with polymer tip-up seat unit ARC LITE compact. By using a two-dimensionally shaped backrest geometry we achieve an extremely small folding envelope while maintaining good seating comfort. This makes room for a deeper desktop with unvarying passage dimensions. Front desk comes with panel, middle and end seat without panels.



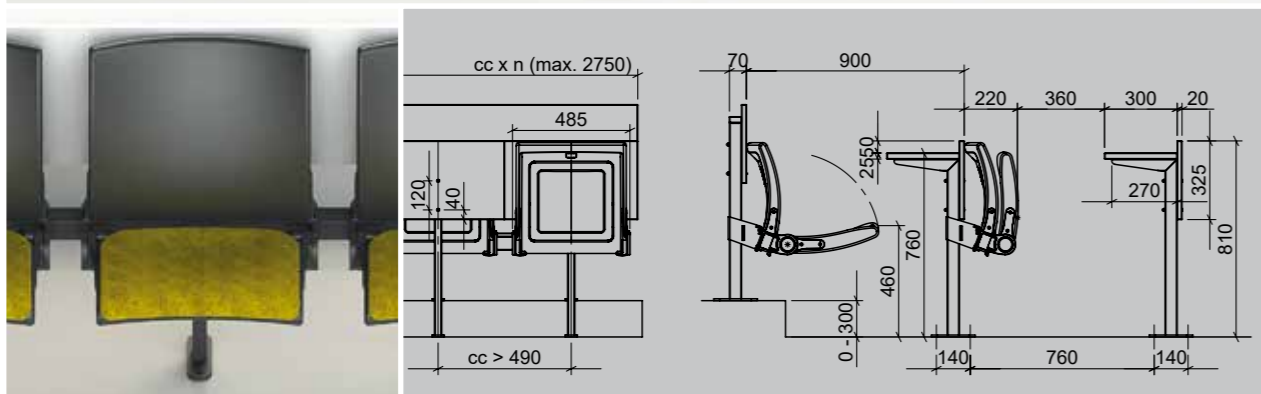
Integrated seat number, optional



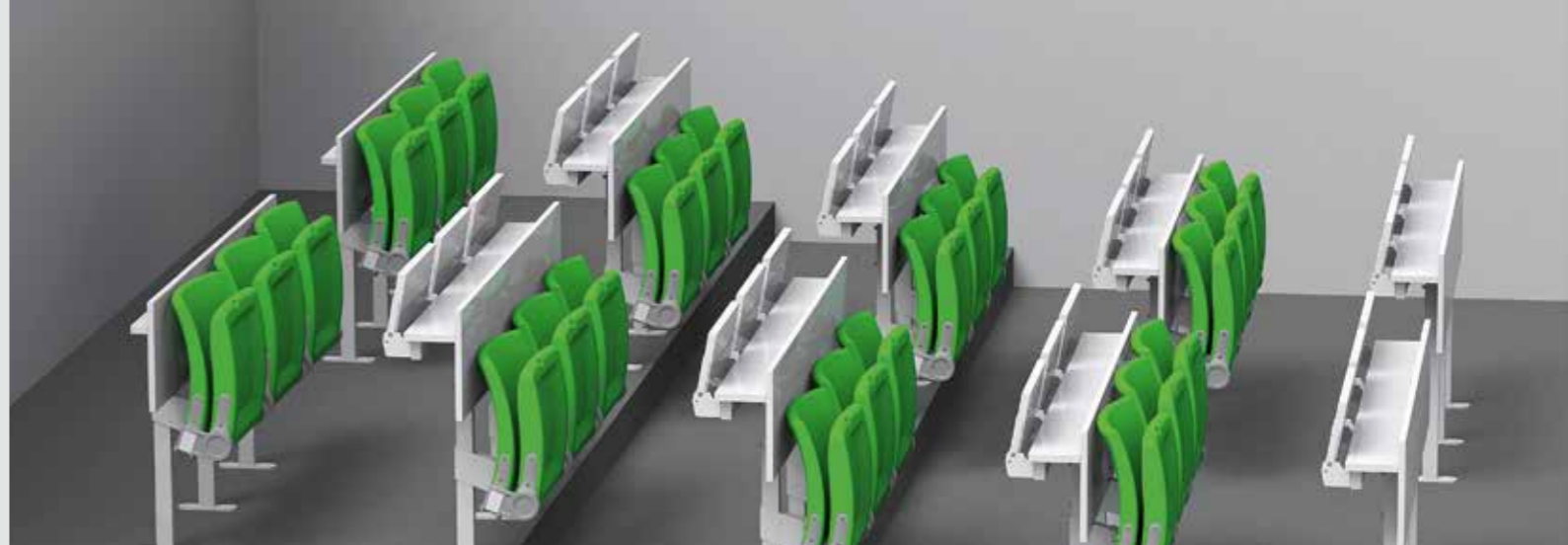
## ARC UNIVERSO | ARC LITE

standard version:  
 structure powder-coated in black, textured  
 desktop & panel melamine coated chipboard,  
 with plastic edging, white  
 seat & backrest PP + UV + FR,  
 RAL 7021 anthracite  
 seat carrier polyamide, RAL 7004 signal grey  
 illustrations partly show special options

ARC UNIVERSO system with polymer tip-up seat unit ARC LITE. The double-walled blow-moulded parts made of durable polypropylene copolymer impress with their individuality and ergonomic form with very high seating comfort. The easy-care seats meet highest design standards and are certified according to the strictest guidelines for load, fire protection and product safety.



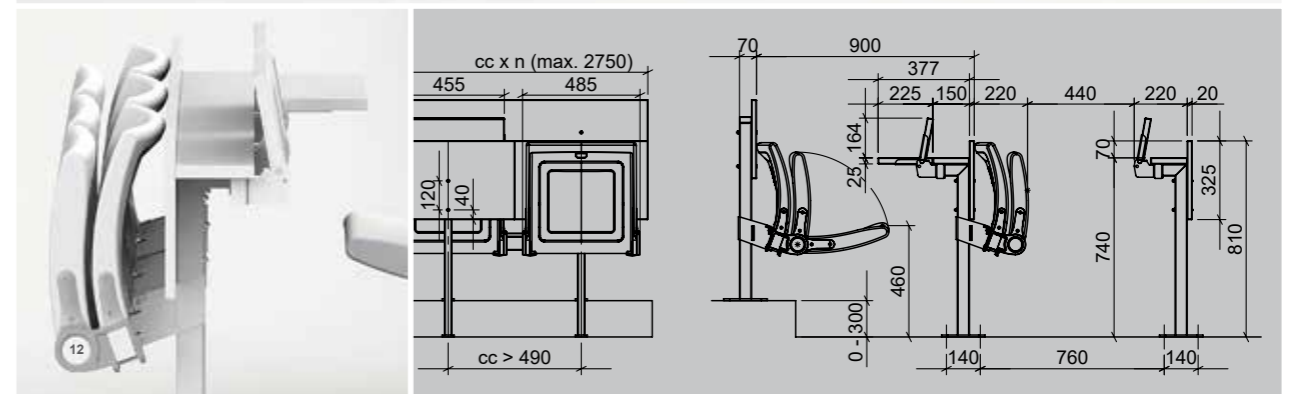
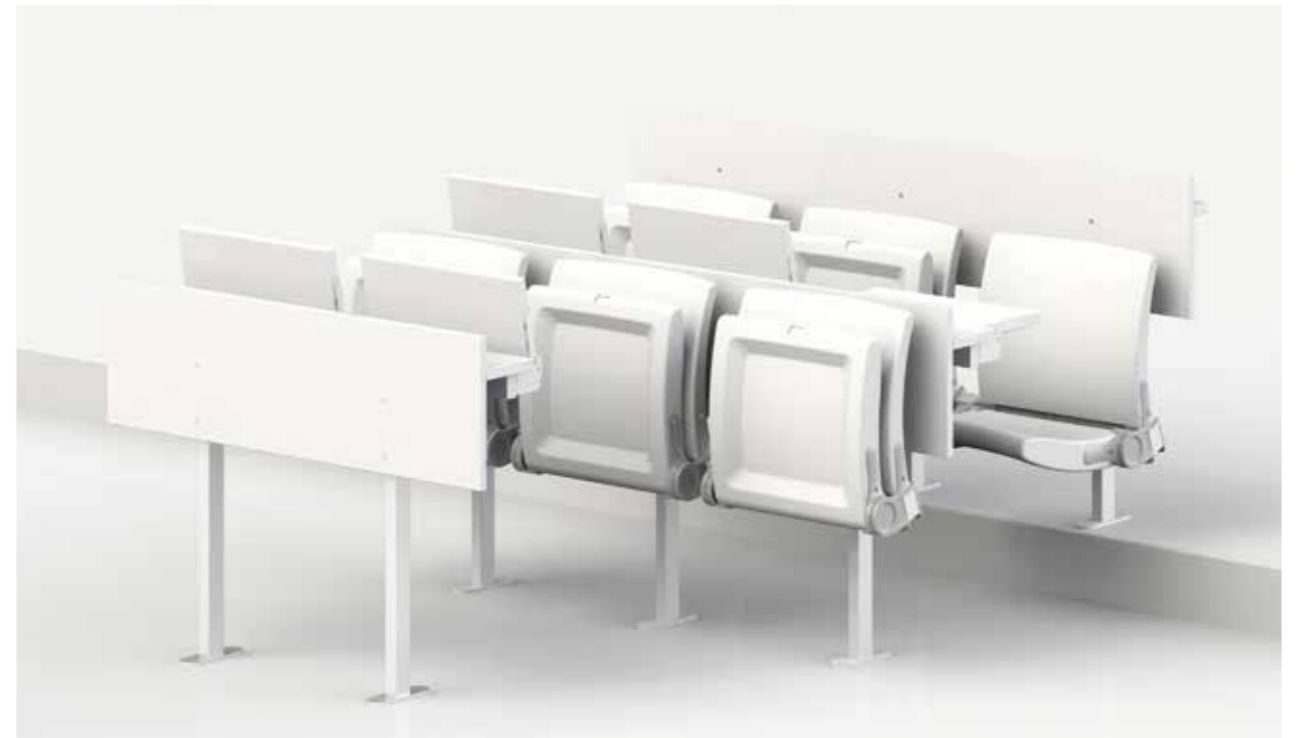
Upholstery pad, optional



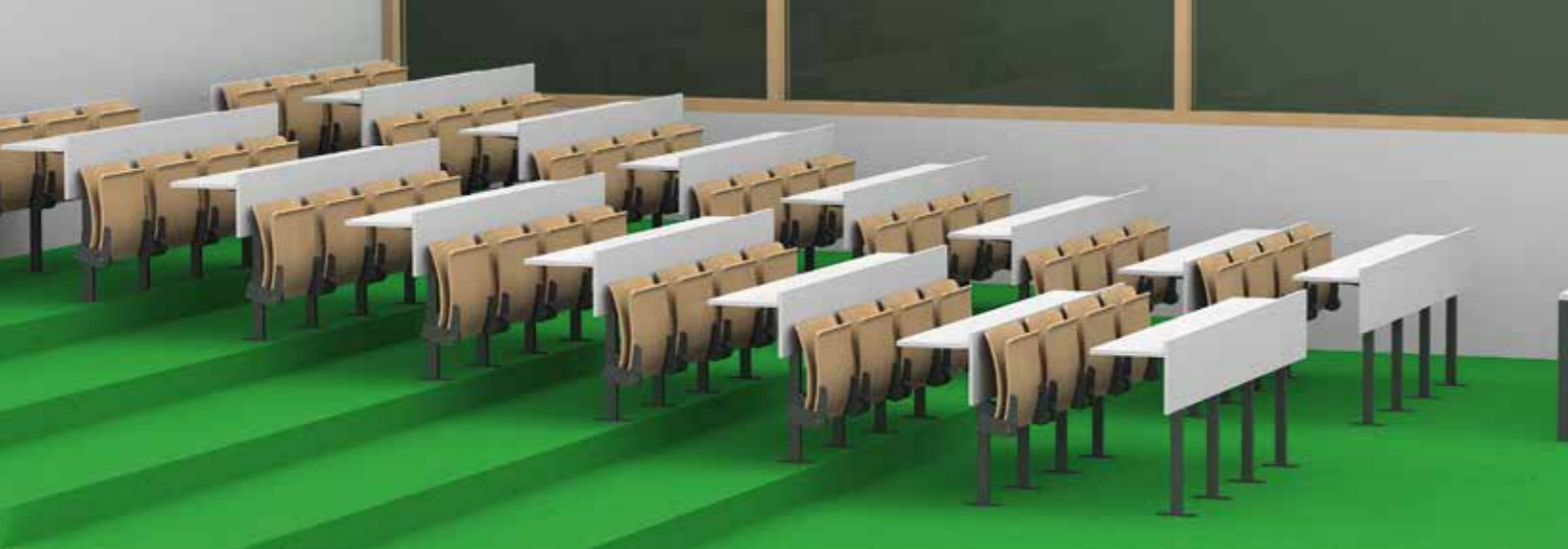
## ARC UNIVERSO | ARC LITE PPA

standard version:  
 structure powder-coated in black, textured  
 desktop & panel melamine coated chipboard,  
 with plastic edging, white  
 seat & backrest PP + UV + FR,  
 RAL 9010 pure white  
 seat carrier polyamide, RAL 7004 signal grey  
 illustrations partly show special options

ARC UNIVERSO system with polymer tip-up seat unit ARC LITE and tip-up desktop PPA. The split desktop with folding hinge allows a comfortable passage and offers enough space for study materials or laptop even when folded up.



Tip-up desktop PPA,  
 row-end number in seat carrier



## ARC UNIVERSO | ARC WOOD

standard version:  
 structure powder-coated, black, textured;  
 desktop & panel coated chipboard, with plastic  
 edging, white  
 seat & backrest shaped beech wood, naturally  
 lacquered  
 illustrations partly show special options

ARC UNIVERSO system with single-shell moulded wood tip-up seat  
 ARC WOOD. Seat and backrest made of high-quality, 3D-shaped  
 beech-wood with optimal ergonomic form.

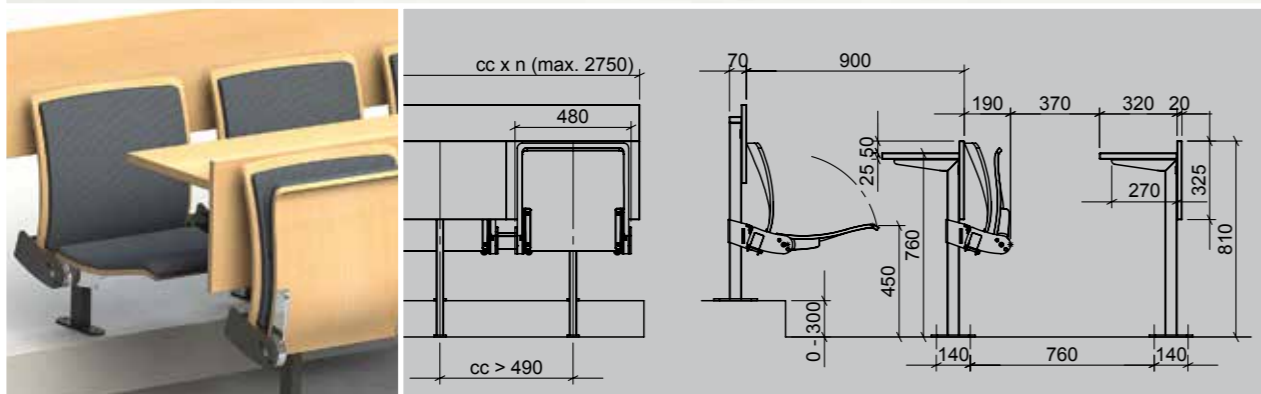


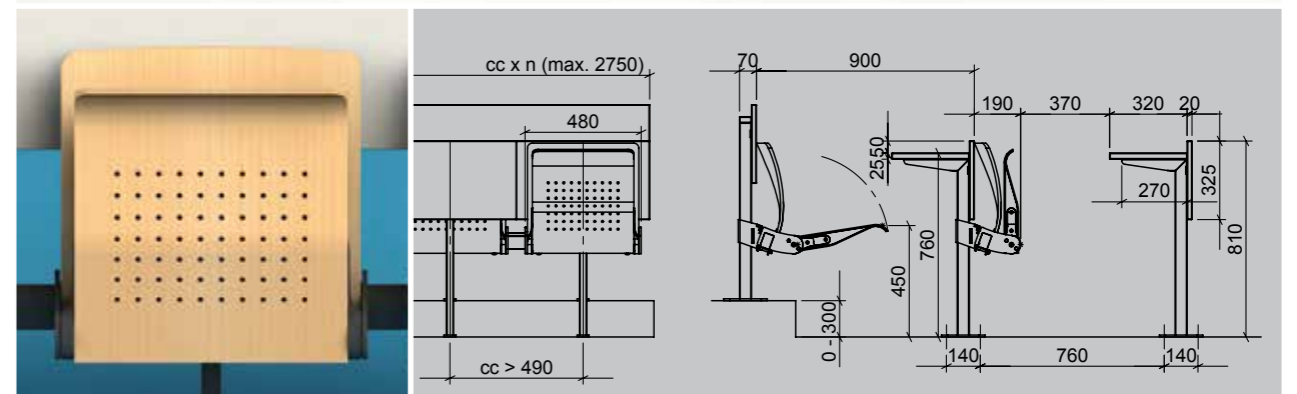
Fig.: upholstered seat and backrest,  
 polished lever, desktop & front panel in  
 beech veneer (optional)



## ARC UNIVERSO | ARC WOOD DS

standard version:  
 structure powder-coated, black, textured;  
 desktop & panel coated chipboard with plastic  
 edging, white;  
 seat & backrest shaped beech wood, naturally  
 lacquered.  
 illustrations partly show special options

ARC UNIVERSO system with tip-up seat unit ARC WOOD DS with  
 double-shelled seat from our classic lecture hall product range. The  
 double-walled design allows the light-metal lever to be inserted  
 into a groove on the solid wood side parts of the seat – the bottom  
 side remains free of fasteners.



Double walled seat with acoustic perforation on underside of the seat (optional)



EHEIM Möbel GmbH Öhringen  
Headquarters

Friedrichsruher Str. 21  
74613 Öhringen | Germany

Tel.: +49 7941 92 20-0

Fax: +49 7941 92 20-30

[info@eheim-moebel.de](mailto:info@eheim-moebel.de)

[www.eheim-moebel.de](http://www.eheim-moebel.de)

EHEIM Seating sp. z o.o.

ul. Piastowska 8D lok. 3  
30-211 Kraków | Poland

Tel.: +48 12 313 44 17

[info@eheimseating.com](mailto:info@eheimseating.com)

[www.eheimseating.com](http://www.eheimseating.com)